

POWERFLEX®

PART NUMBER

PFF46-801

DESCRIPTION

Front Wishbone Front Bush

INSTALLATION GUIDE

Contents (parts per pack):

2 x Polyurethane Bushes 1 x PTFE/Silicone Grease
2 x Stainless Steel Sleeves

Please read the complete fitting instructions and check package components before fitment. These fitting instructions are to be used as a guide and in conjunction with workshop manual.

It is recommended that:

- all work to be carried out by a licensed technician;
- all safety precautions adhered to;
- wheel alignment to be checked and adjusted as required after any suspension work.
- All fasteners must be tensioned to manufacturer's torque settings.

Fitting Instructions:

1. Remove front wishbone from vehicle.
2. Using suitable pressing tools, remove the front bush from the wishbone including its metal outer shell.
3. Press the Zinc-Plated Mild Steel Outer Shell into place in the wishbone, with the flange towards the top of the wishbone. (Figure 1)
4. Press the polyurethane bush into the outer shell from the top, with the small flange towards the bottom of the wishbone. Washing up liquid can be used to help lubricate this process. (Figure 1)
5. Liberally apply the supplied grease to the bore of the polyurethane bush and to the outside of the stainless steel sleeve.
6. Push the sleeve into the bush, so that it sits flush with top of the bush. (Figure 1)
7. Refit the wishbone to the car and ensure to tighten all hardware to manufacturer's recommended torque settings.

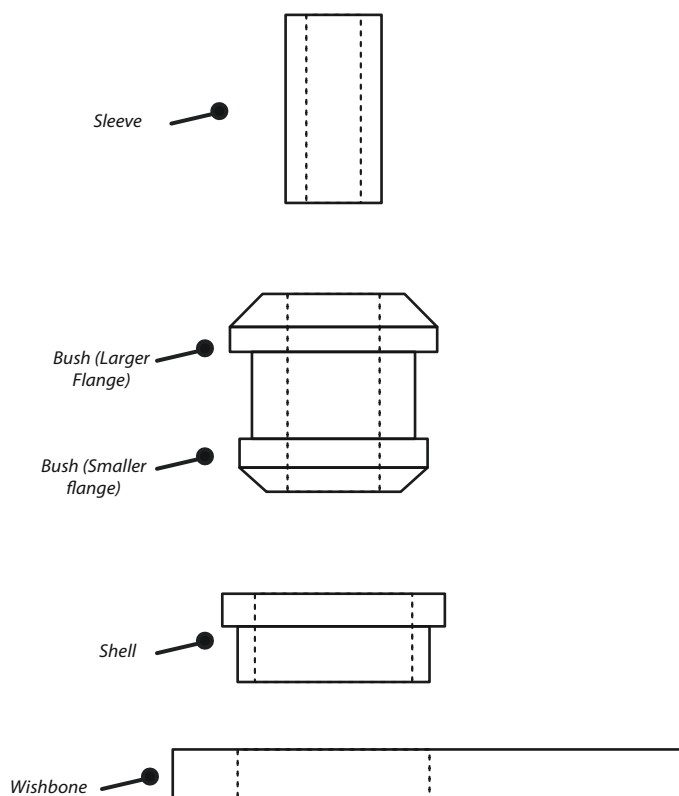


Figure 1