

POWERFLEX®

PART NUMBER

PFF69-504

DESCRIPTION

Steering Rack Mounting Kit

INSTALLATION GUIDE

Contents (parts per pack):

2 x Polyurethane A Bush 4 x Polyurethane B Bush
2 x Stainless Steel Sleeves 1 x PTFE/Silicone Grease

Please read the complete fitting instructions and check package components before fitment. These fitting instructions are to be used as a guide and in conjunction with workshop manual.

It is recommended that:

- all work to be carried out by a licensed technician;
- all safety precautions adhered to;
- wheel alignment to be checked and adjusted as required after any suspension work.
- All fasteners must be tensioned to manufacturer's torque settings.

Fitting Instructions:

1. Remove both original bushes from their mounts, ensuring to clean any dirt and corrosion from the mounts and file off any sharp edges to prevent any damage to the new Powerflex bushes.
2. To fit the A bush, measure the diameter of the steering rack at the point of fitment. The size should measure at either 46mm or 48mm diameter. Then select the A bush with the correct diameter listed on the side of bush (as shown in Figure 1).
3. Wrap the A bush around the point of fitment and reattach the clamp, ensuring the nodule fits through the hole in the top of the clamp (as shown in Figure 2).
4. To fit the B bush, press both bushes into the bore of the steering rack.
5. Apply a small amount of grease to the bore of the B bush and then press the sleeve into the bore of the bush.
6. Refit to the vehicle and tension all hardware to manufacturers recommended torque settings.



Figure 1



Figure 3

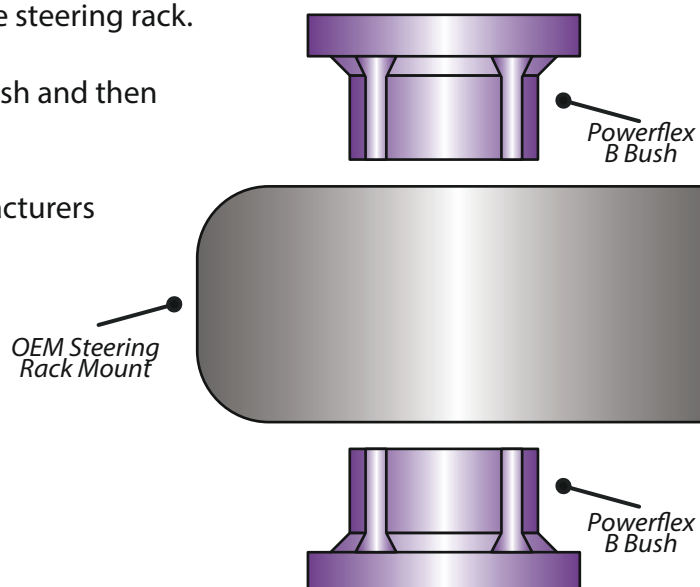


Figure 2

